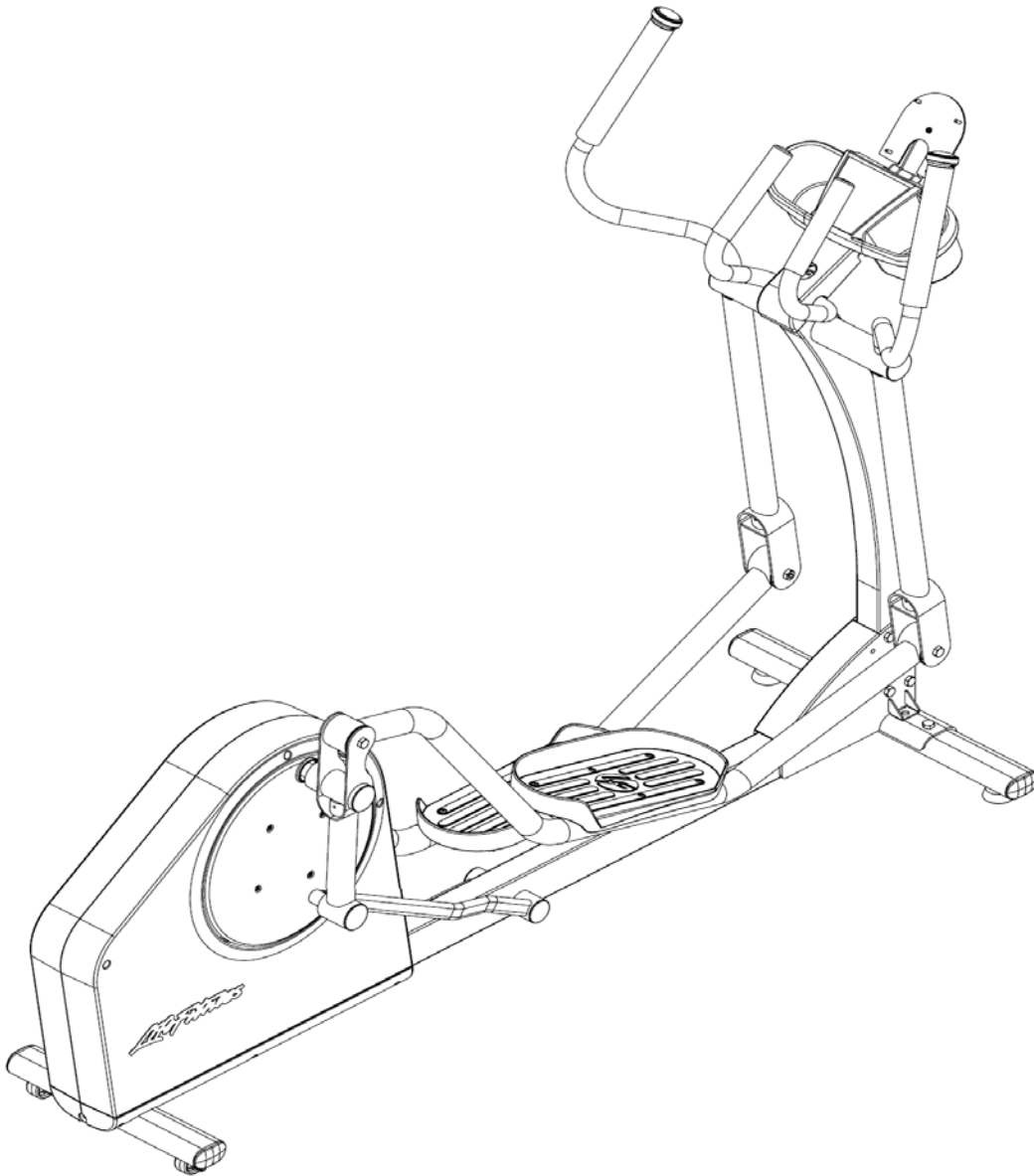


# *LifeFitness*

**X1 Consumer Cross Trainer**



## **Customer Support Services** ***PARTS MANUAL***

01 Sept. 2010

CONSOLES AND TRANSFORMERS .....Page 3  
UPRIGHT & RELATED COMPONENTS .....Page 4  
USER ARM ASSEMBLIES & COMPONENTS.....Page 5  
PEDAL LEVER ASSEMBLIES & COMPONENTS.....Page 6  
MAIN SHROUDS & CRANK COVERS .....Page 7  
IDLER & COUPLER ASSEMBLIES .....Page 8  
CRANK RELATED COMPONENTS.....Page 9  
BRAKE AND TENSIONER COMPONENTS.....Page 10  
STABILIZER COMPONENTS AND GROMMETS.....Page 11  
MOTOR, REED SWITCH AND CABLES.....Page 12

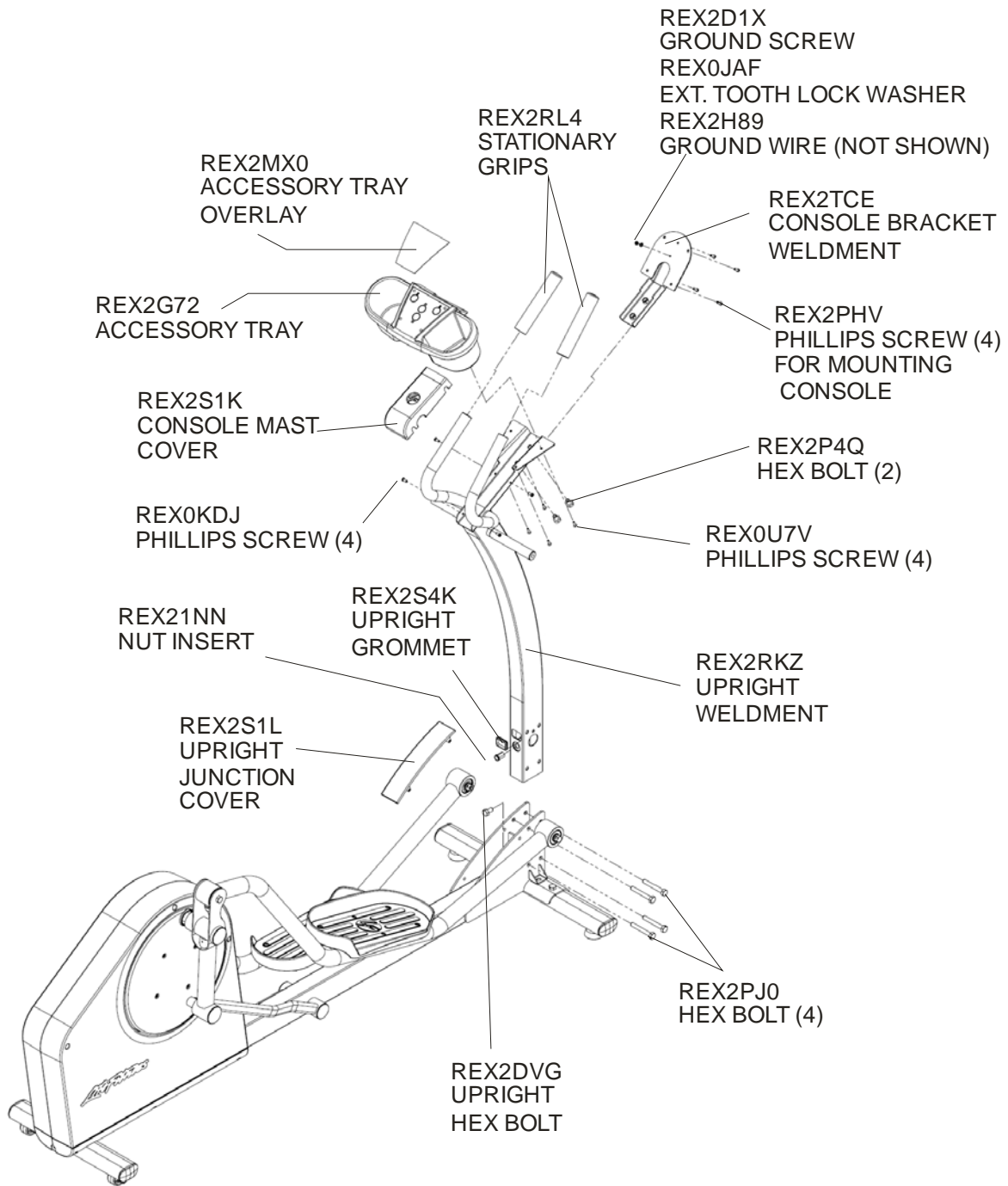
Operation Manual – 8591801  
Hardware Bag -- 8586101

Console part numbers:

BAS-000X-0203	BASIC BIKE/CT CONSOLE ENG
BAS-020X-0103 BAS-020X-0203	BASIC BIKE/CT CONSOLE GER/MET
ADV-000X-0203	ADV BIKE/CT CONSOLE ENG
ADV-020X-0103 ADV-020X-0203	ADV BIKE/CT CONSOLE GER/MET
8071301	100-240V, 1.5A DOM TRANSFORMER
8071401	230/50-9VDC, 1.5A CONT. TRANSFORMER
8071501	230/50-9VDC, 1.5A UK TRANSFORMER
8071601	240/50-9VDC, 1.5A AUST TRANSFORMER

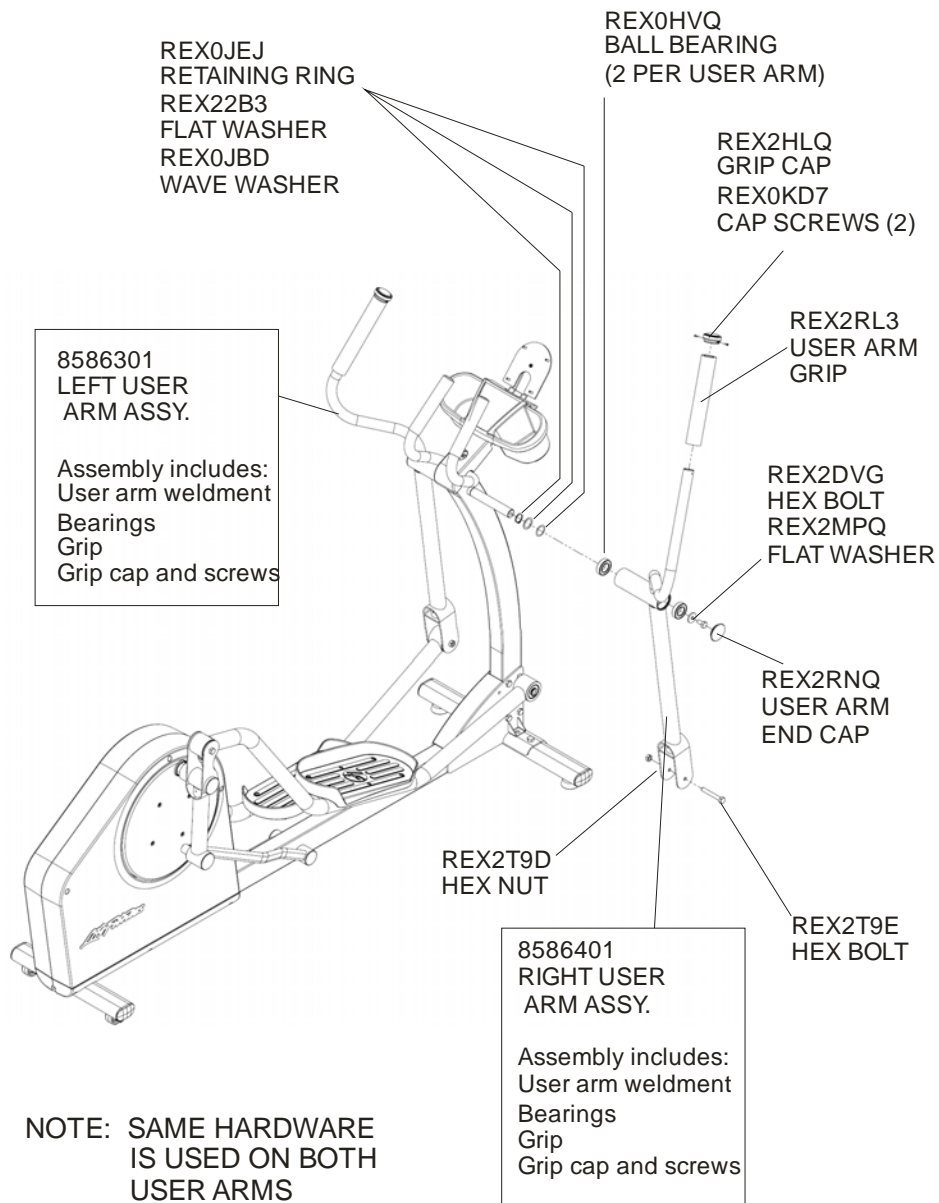
**X1 Consumer Cross Trainer**  
**Upright & related components**

**X1-XX00-0203**  
**S/N**



**X1 Consumer Cross Trainer**  
**User arm assemblies & components**

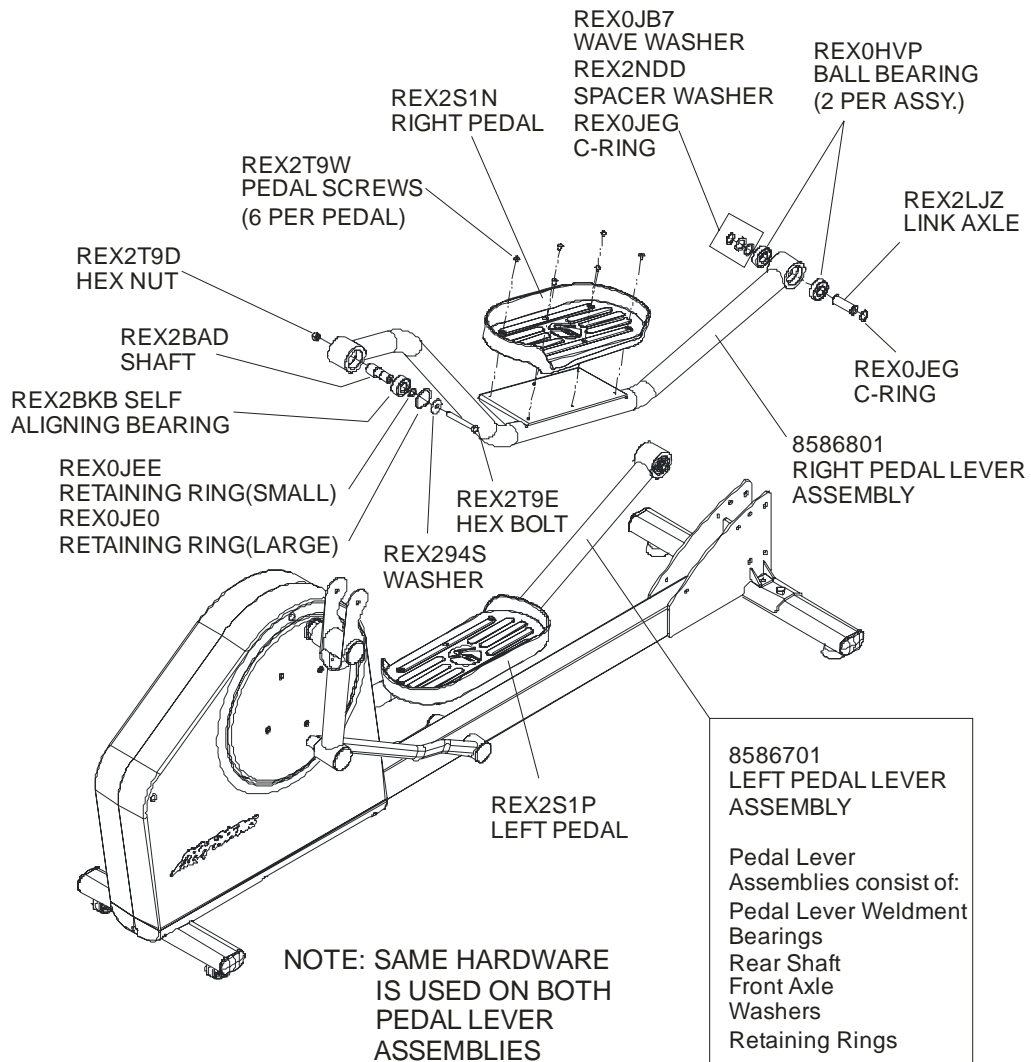
**X1-XX00-0203**  
**S/N**



# X1 Consumer Cross Trainer

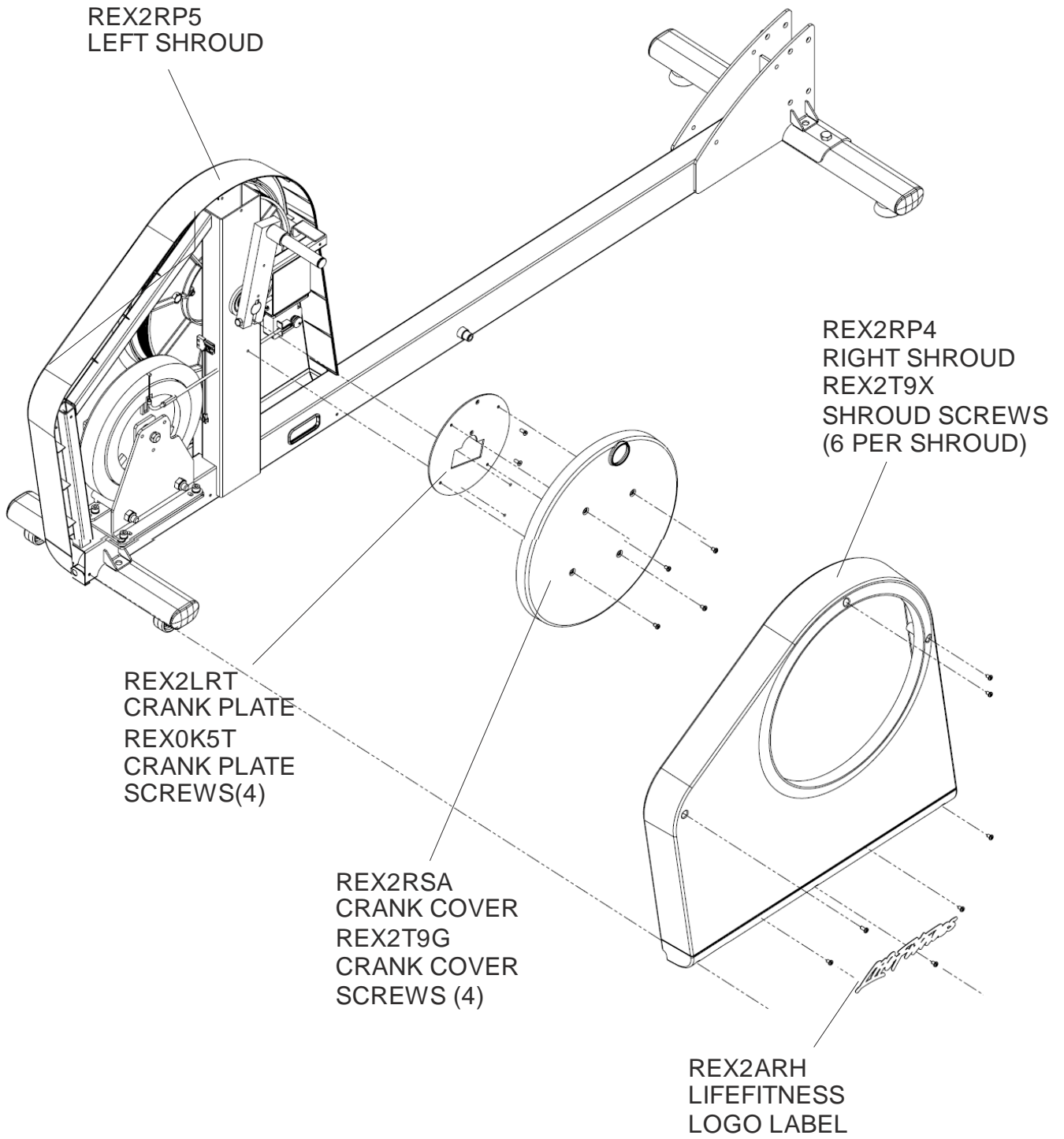
## Pedal Lever Assemblies & components

X1-XX00-0203  
S/N



**X1 Consumer Cross Trainer**  
**Main Shrouds & Crank Covers**

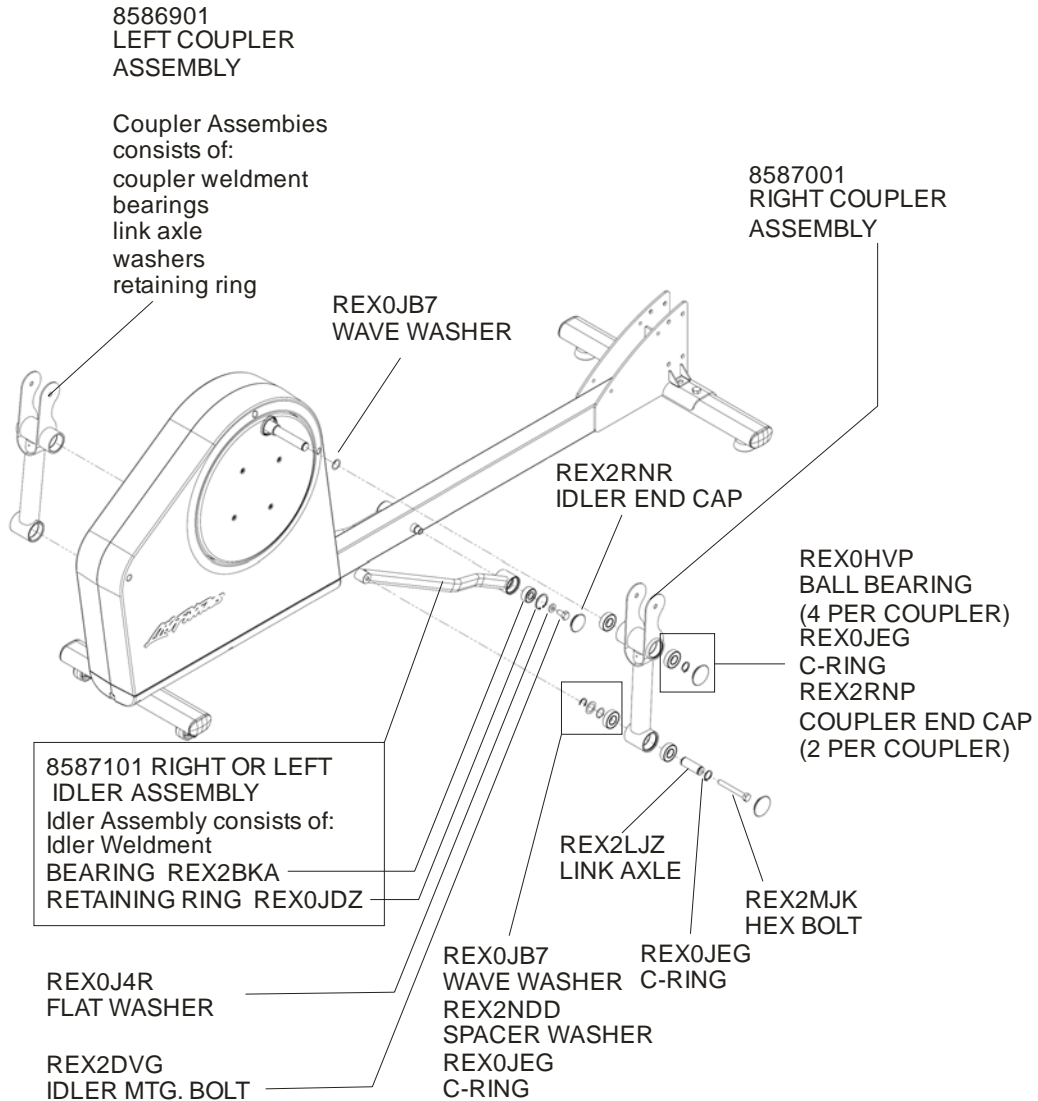
**X1-XX00-0203**  
**S/N**



# X1 Consumer Cross Trainer

## Idler and Coupler Assemblies

X1-XX00-0203  
S/N

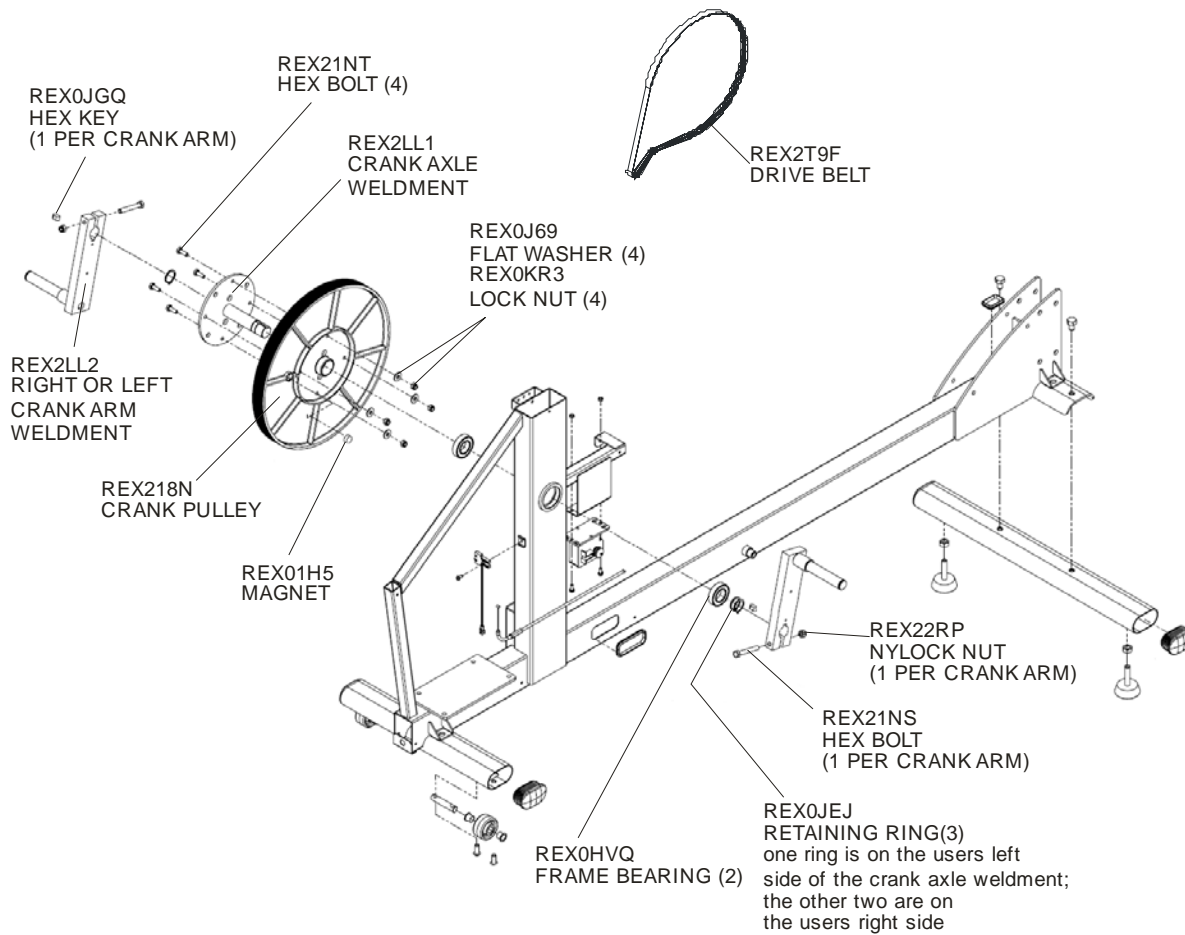




# X1 Consumer Cross Trainer

## Crank related components

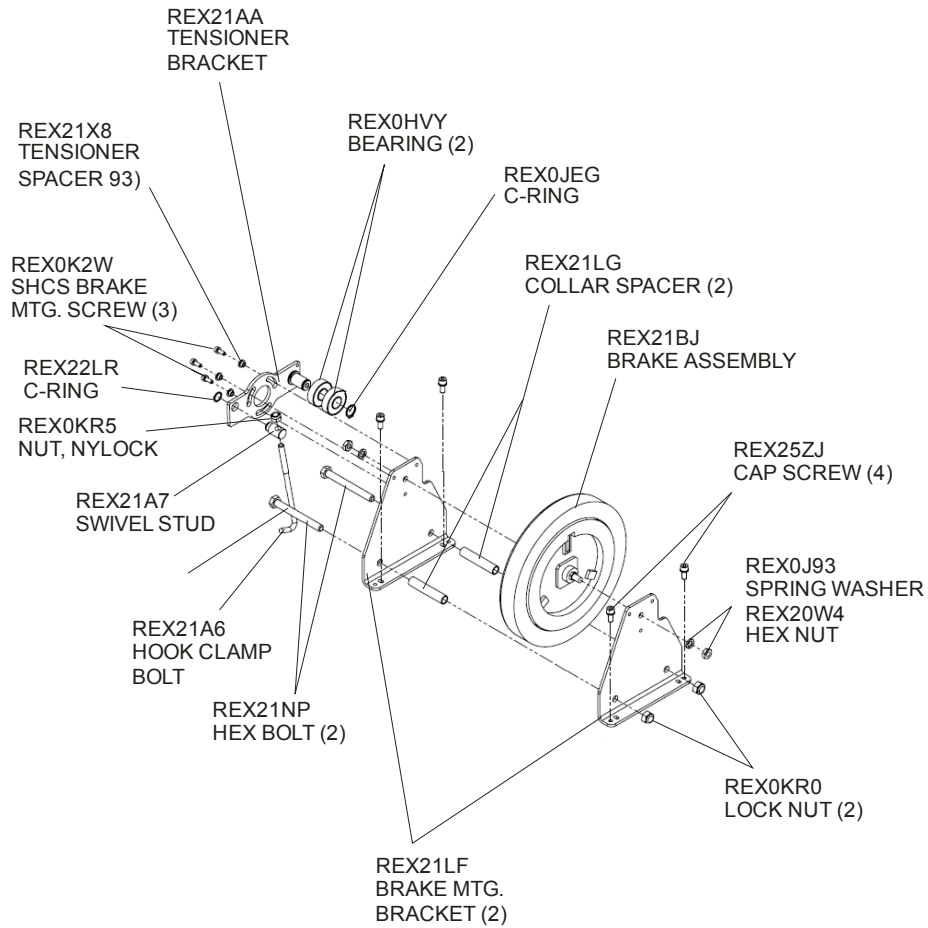
X1-XX00-0203  
S/N



# X1 Consumer Cross Trainer

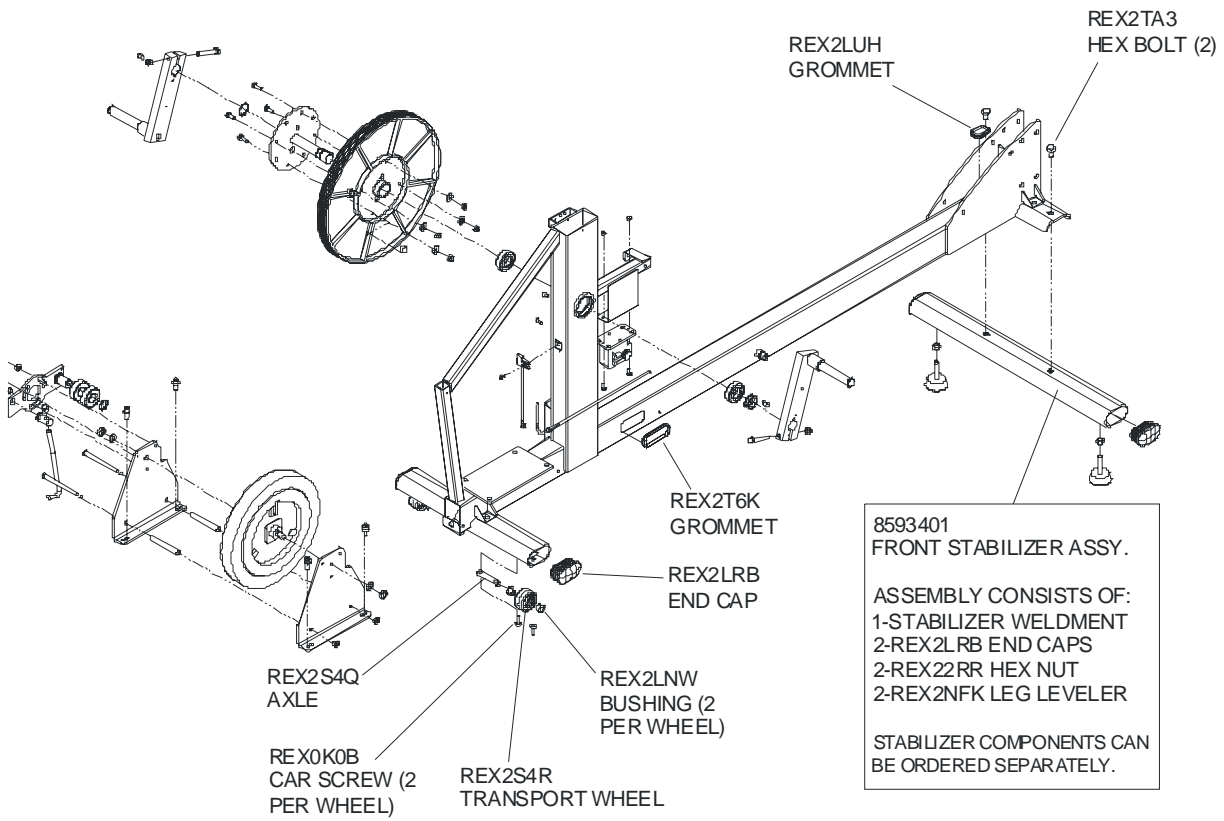
## Brake and Tensioner components

X1-XX00-0203  
S/N



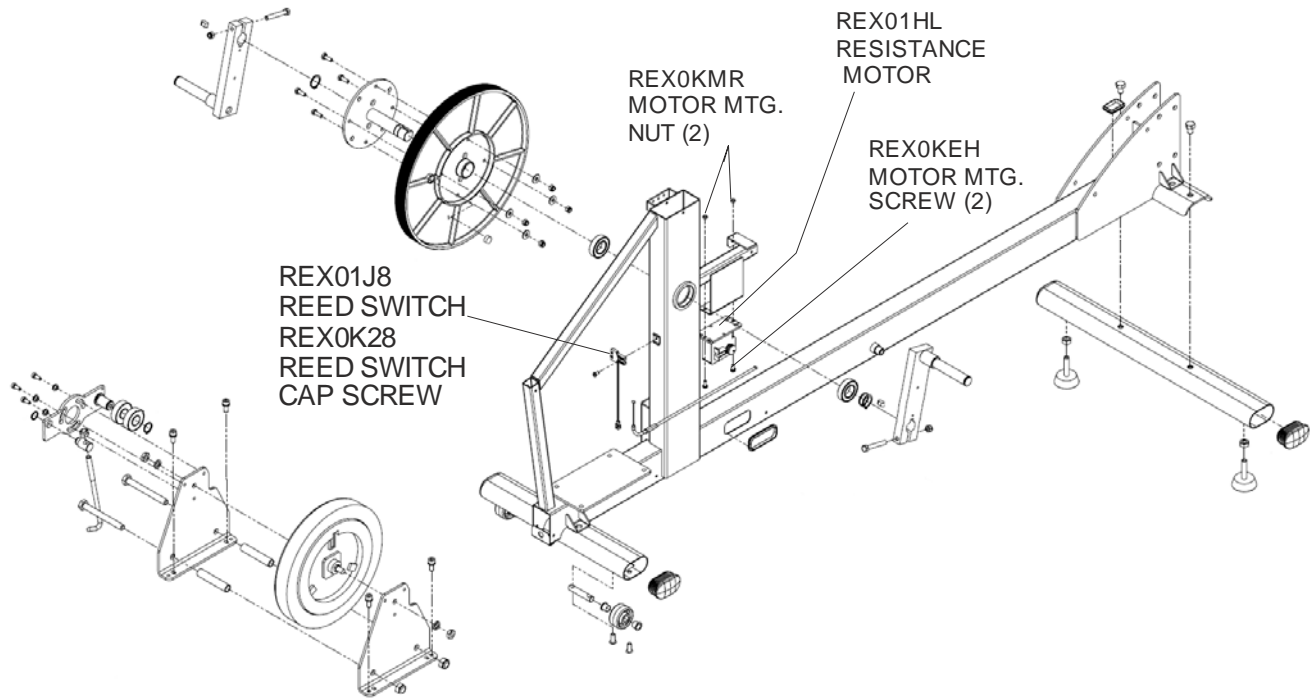
**X1 Consumer Cross Trainer**  
**Stabilizer Components & Grommets**

**X1-XX00-0203**  
**S/N**



**X1 Consumer Cross Trainer**  
**Motor, Reed Switch & Cables**

**X1-XX00-0203**  
**S/N**



- REX2JTW - Wire Harness, Upright
- REX2GHY - Wire Harness, Base
- REX2K86 - Wire Harness, Transformer to Base Harness
- REX01QH - Brake cable (Mechanical)
- REX2T9F - Drive Belt Poly-V